

**TAVOLO** NG & LP  
ELECTRONIC START  
ADJUSTABLE FLAME

Fire is beautiful and also dangerous if not handled properly. Please have a qualified gas fitter setup and install this product according to local codes.

This product has been tested and certified by Labtest Certification Inc. as being safe, as long as these **minimum clearances** to adjacent materials are maintained.

**FOR OUTDOOR USE ONLY**

**NORTH AMERICA SPECIFICATIONS**

Gas type:	<u>Natural Gas</u>	<u>Propane</u>
Inlet press:	7.0" w.c.	11" w.c.
Manifold press:	2.5" w.c.	4.5" w.c.
Heat Output:	73,500 BTU	73,500 BTU

Electrical: 120 Vac, 1.5A, 60Hz or 24Vac, 20VA

ANSI Z21.97-2014  
CSA 2.17-2017



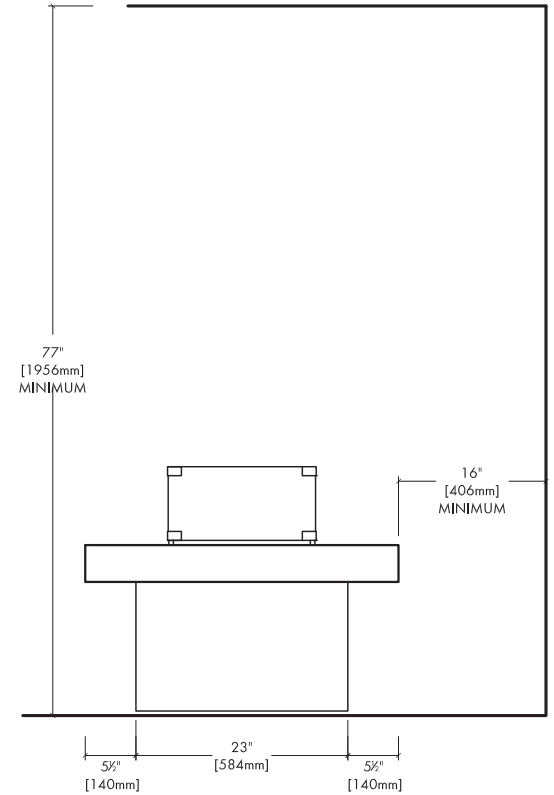
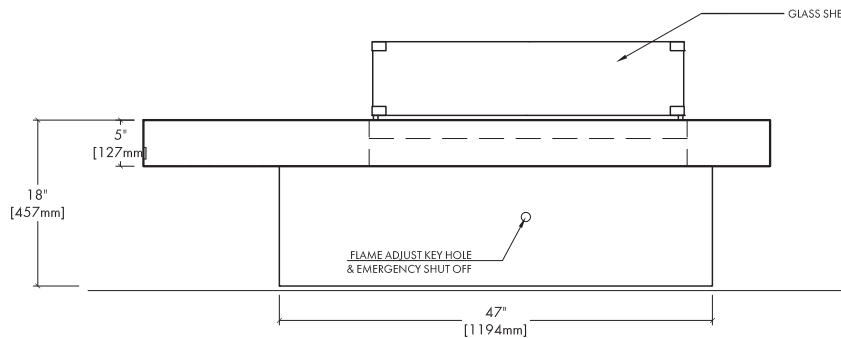
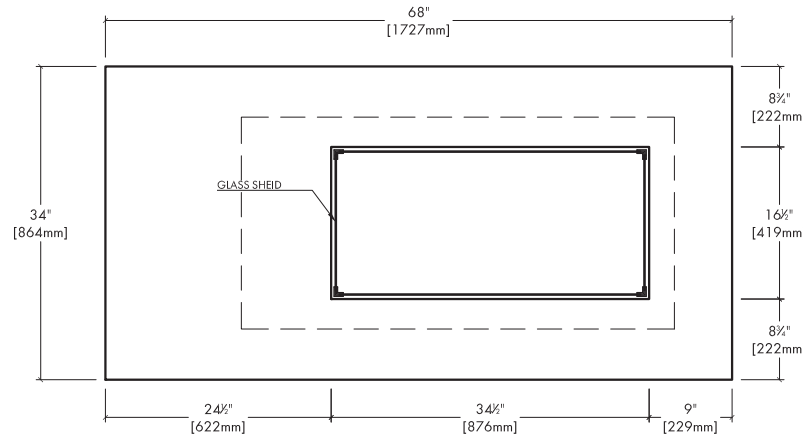
**UK & EUROPEAN SPECIFICATIONS**

Gas type:	<u>Natural Gas</u>	<u>Propane/But.</u>
	G20	G31
Inlet press:	17.4 mbar	17.41 mbar
Manifold press:	11.07 mbar	14.63 mbar
Heat Output:	26.37 kW	26.37 kW

Electrical: 240 Vac, 50/60Hz

**CONCRETE SPECS**

Strength: 10,000 psi (proprietary)  
Weight: top 410 lbs / 186 kg  
base 318 lbs / 145 kg



**CLEARANCES to ADJACENT MATERIALS**

**NOTE:**

The site Electrician must provide a switched electrical line to the firepit location.  
SEE: *Electronic Ignition Set up Schematic.*

**ACCESSORIES**

- 1/ All Weather Fabric Cover /extends warranty.
- 2/ Glass wind guard (Included).

JOB / ORDER  
Name or Number:

Signature & Date: