

## SCUPPER 36

This water feature requires a pond or reservoir to operate. An optional pump package is also available if required. We will work with your pool/pond consultant to make the project a success.

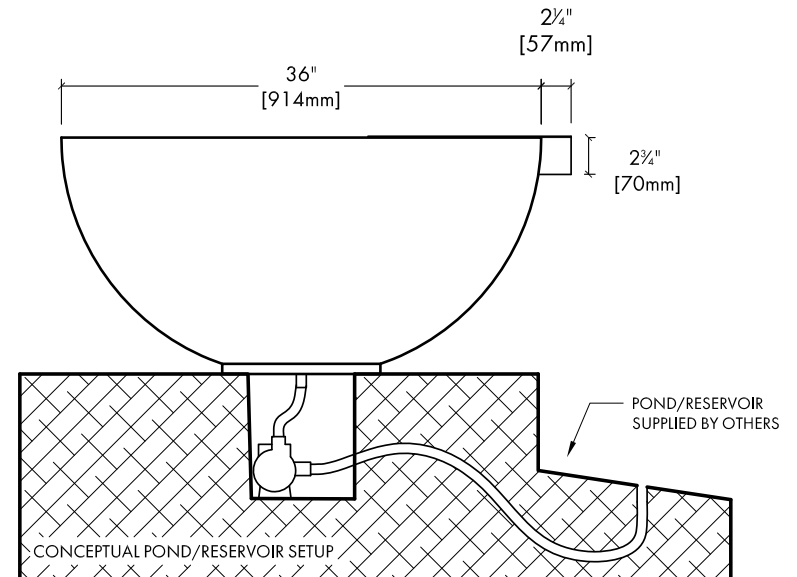
### Contents:

- Solus concrete bowl and solid metal scupper in Stainless Steel, Copper or Brass.
- 3/4" (standard) or 1-1/2" bulkhead fitting (barbed or un-barbed) available.

### -Optional Oase pump:

800 GPH ( 3000 LPH) with 10ft of lift and 2 year manufacturers warranty.

NOTE: Pump is available for N. American voltage only (110V).



**solus**  
HANDCAST CONCRETE  
DECOR

ORDER NO. / JOB NAME

Signature:

Date:

PRODUCT: **SCUPPER 36**

COLOUR: Bowl : Scupper:

BULKHEAD: 3/4" or 1-1/2" — barbed or un-barbed

PUMP: Required or Not Required

OTHER: Weight ~ 160 lbs ( 73 kg ) without water